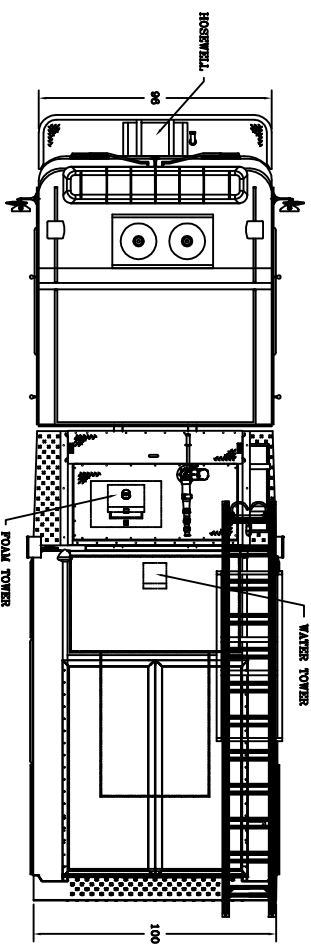
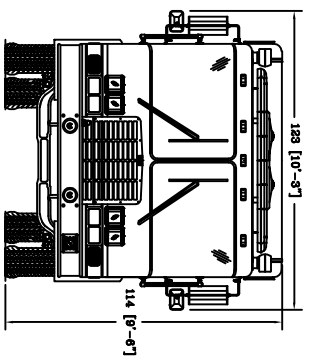
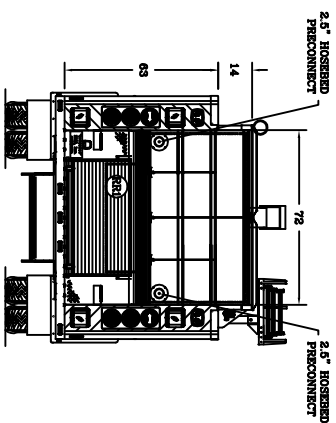
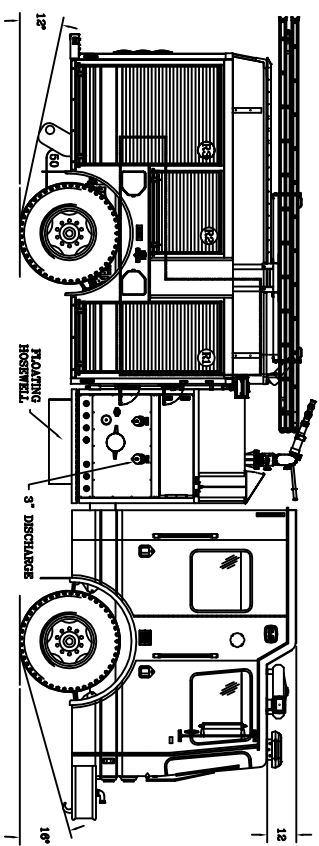
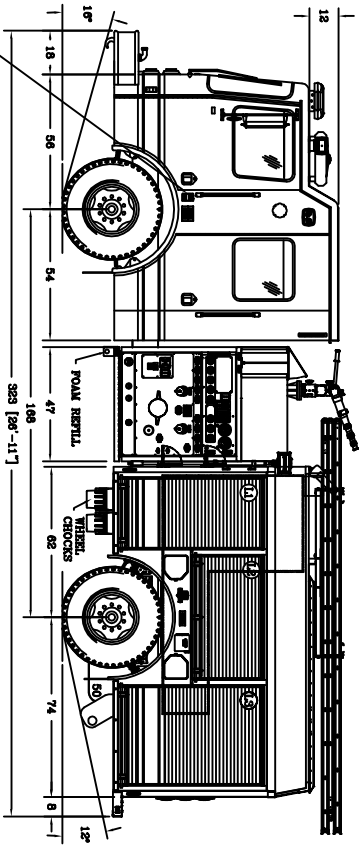


This drawing along with any changes made and indicated by both the Department of Public Safety and the Department of Motor Vehicles shall be considered and applied to the "Type Department". Any changes to the original specifications and drawings after the date of issue will be addressed via appropriate change order sheets and approved by both the Department of Public Safety and the Department of Motor Vehicles.

APPROVED BY: _____ DATE: _____
 DRAWN BY: _____ DATE: _____
 CHECKED BY: _____ DATE: _____
 DESIGNED BY: _____ DATE: _____



KISSMAUI 20 AMP SUPER AUTO BUILT



THIS DRAWING IS REPRESENTATIVE OF THE APPLICANTS PROPOSED DESIGN. IT IS THE RESPONSIBILITY OF THE APPLICANT TO VERIFY THE DESIGN AGAINST THE SPECIFICATIONS WITHIN THE PROPOSAL PERMIT.

CREATED WITH AUTOCAD

LET	REV	DATE	DESCRIPTION
A	1	27 JUNE 07	ORIGINAL RELEASE
B	1		

HME
 HME DEMO TRUCK

1950 BYRON CENTER AVE.
 WYOMING, MI. 49509

DATE: 27 JUNE 07
 DRAWN BY: R. JONES
 CHECKED BY: _____
 DESIGNED BY: _____

21238